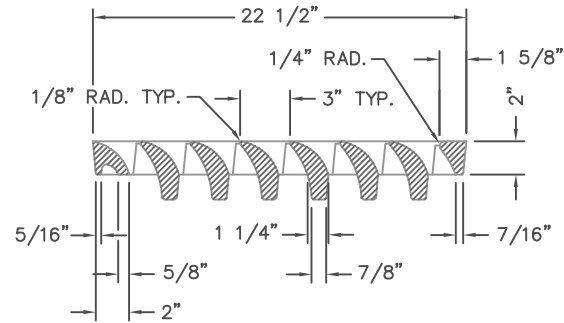
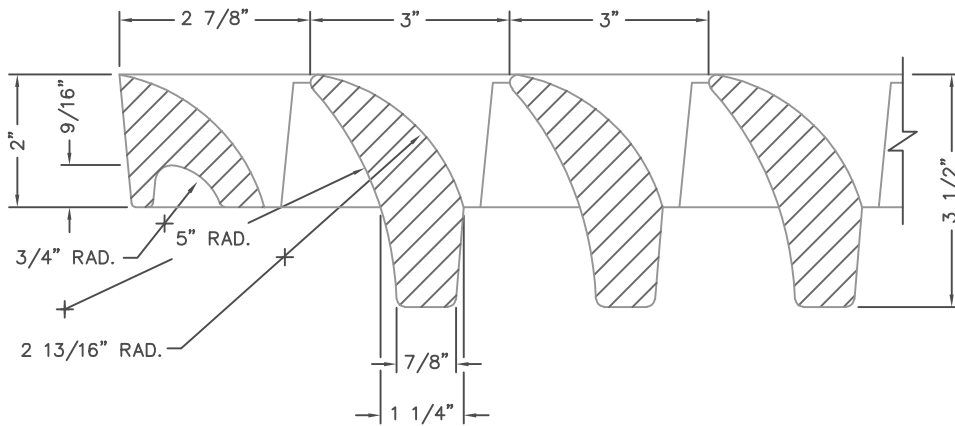
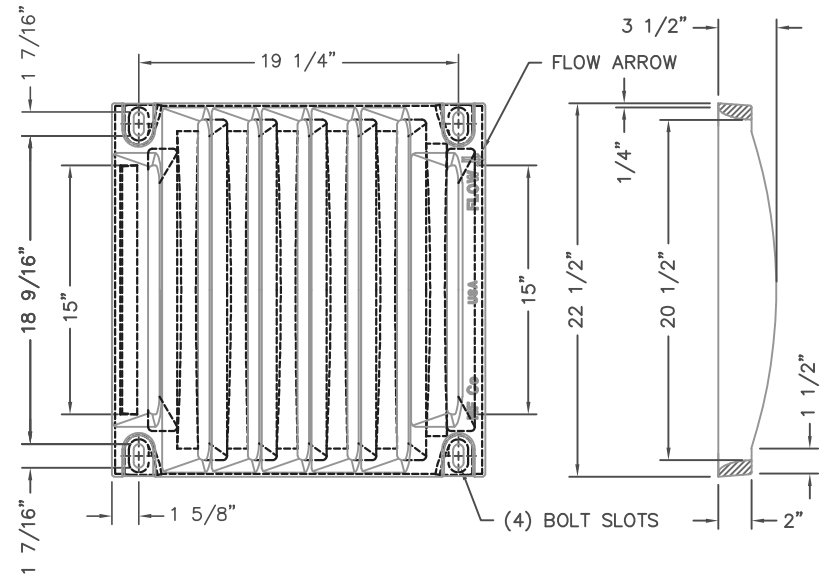
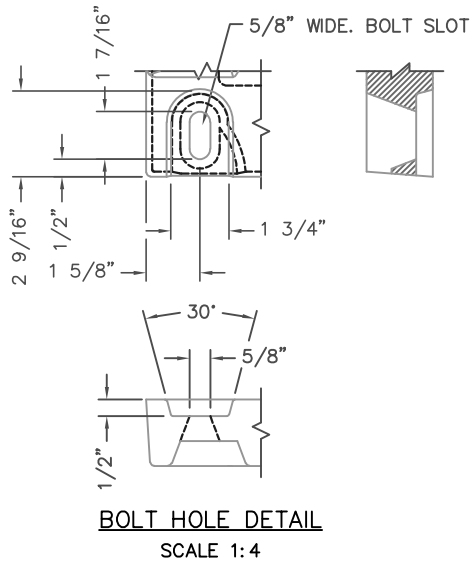


32873022-7 B8



FREE OPEN AREA: 230 SQ. IN. OR 1.6 SQ. FT.
 MATERIAL: CAST GRAY IRON ASTM A-48, CLASS 35B
 FINISH: NO PAINT
 WEIGHT: 153#

Supplied By:
TRENCH DRAIN SUPPLY
 877-903-7246
 www.trenchdrainsupply.com

| DATE | REVISION | BY |
|------------|--|-----|
| 08-17-2013 | CHANGED THE BOLT SLOT RECESS TO HAVE 15° DRAFT. | ELN |
| 08-17-2013 | CORRECTED DIMENSIONS | CAG |
| 05-23-2013 | MADE THE BOLT SLOTS LONGER | CAG |
| 04-22-2013 | CHANGED THE BOLT HOLES TO BOLT SLOTS | ELN |
| 10-01-2007 | CHANGED THE BOLT SLOTS TO BOLT HOLES PER PATTERN CHECK | ELR |
| 8-29-2006 | DIMENSIONED SLOTS | SMA |
| | | INT |

| | | |
|-----------------|---------------|--------------------------------|
| DR. E. REMME | SCALE 1/8"=1" | TITLE: R-3287-5 TYPE "V" GRATE |
| CH. | DIM CHK. | NEENAH FOUNDRY COMPANY |
| APP. | | NEENAH WISCONSIN 54956 |
| DATE 07-07-2006 | | NF-32873022 B |